

DP-50 Specifications

Xtreme Duty Pro XDP® Heavy Duty

Port Dimensions (121.5 GPM Max.)

Intake & discharge connection:

Aluminum (ADC-12)	2" ANSI B16.5 #150 (with tapped 1-1/2" Female NPT)
Polypropylene (PPG)	2" ANSI B16.5 #150
Kynar®	2" ANSI B16.5 #150
Stainless Steel (316)	2" ANSI B16.5 #150 or 2" Female NPT
Cast Iron	2" Female NPT
Air inlet (incl. ball valve):	3/4" Female NPT
Air exhaust (incl. silencer):	3/4" Female NPT

Maximum Liquid Temperature*

Diaphragm Material	Temperature
Buna N	180°F (82°C)
Neoprene	180°F (82°C)
Santoprene® (TPO)	180°F (82°C)
EPDM	212°F (100°C)
PTFE	212°F (100°C)
Hytrel® (TPEE)	248°F (120°C)
Viton® fluoroelastomer	248°F (120°C)

*The maximum liquid temperature for metal pumps is determined by the elastomer (diaphragm material). Polypropylene pumps have a maximum liquid temperature of 180°F (82°C) regardless of diaphragm material.

Air Supply Pressure (All Models)

20–125 PSI (1.4–8.7 kgf/cm²)

Discharge Volume Per Cycle

Rubber diaphragm: 0.92 gallons
PTFE diaphragm: 0.34 gallons

Maximum Cycles Per Minute

Rubber diaphragm: 460
PTFE diaphragms: 340

Maximum Size Solid

5/16" (8 mm)

Maximum Dry Suction Lift

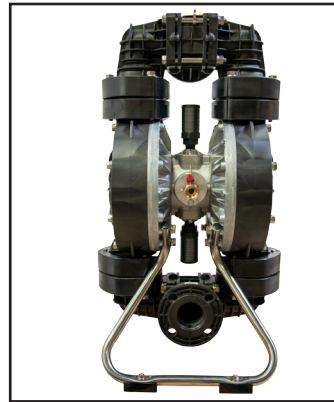
Rubber fitted pump capability: 16'
PTFE fitted pump capability: 9'

Air Motor

Aluminum air motor standard on all pumps.

Valve Type

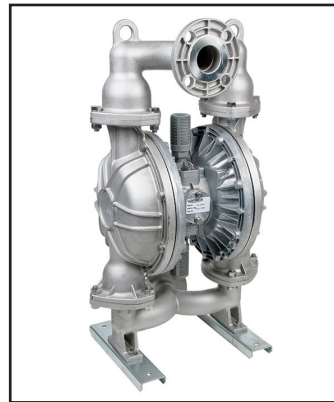
Ball



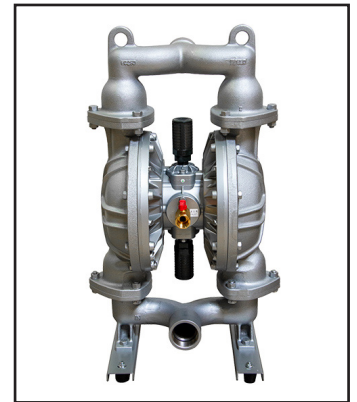
Kynar®
Dimensions: 18.19"W x 32.24"H
Net Wt.: 83.8 lbs. (38 kg)
Shipping Wt.: 93 lbs.



Polypropylene
NPT Dimensions: 18.30"W x 32.30"H
Net Wt.: 75 lbs. (34 kg)
Shipping Wt.: 85 lbs.

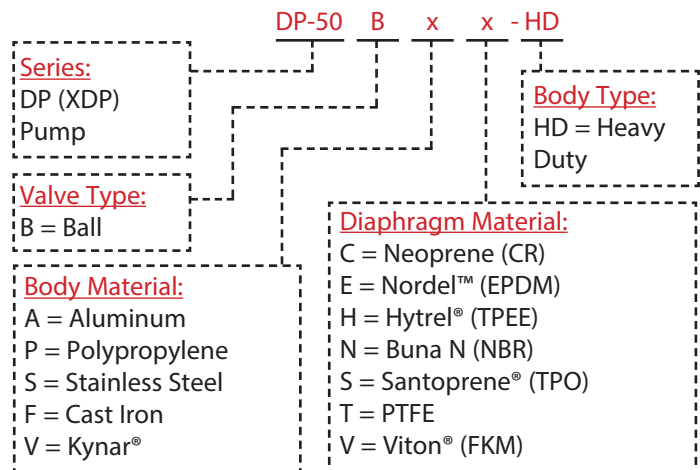


Aluminum
Dimensions: 17.78"W x 30.7"H
Net Wt.: 77.6 lbs. (35.2 kg)
Shipping Wt.: 87 lbs.
Stainless Steel
FLG & NPT Dimensions:
17.72"W x 30.76"H
Net Wt.: 126.8 lbs. (57.5 kg)
Shipping Wt.: 136 lbs.



Cast Iron
Dimensions: 17.72"W x 30.56"H
Net Wt.: 136.7 lbs. (62 kg)
Shipping Wt.: 146 lbs.

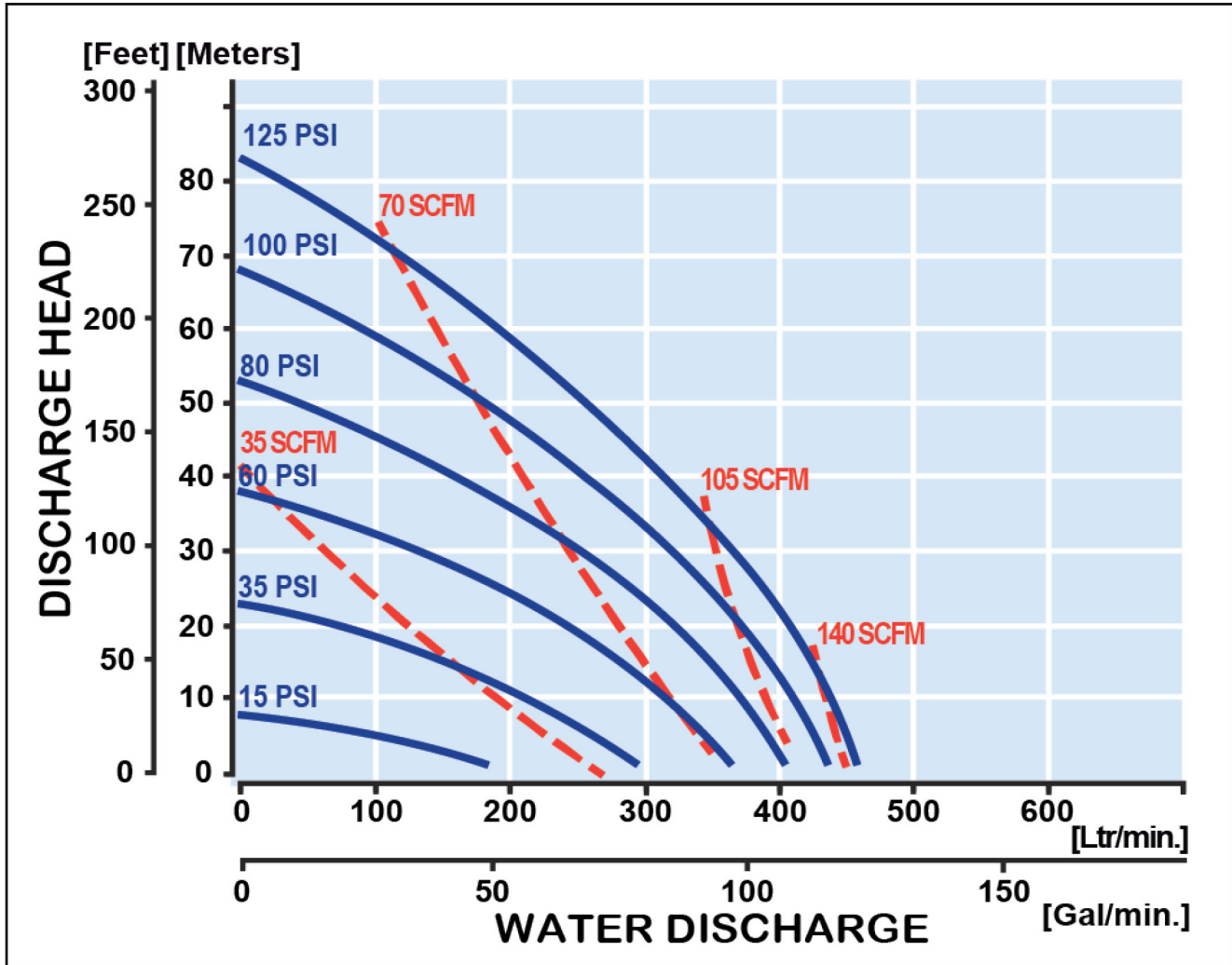
Model Number Nomenclature



Notes: Santoprene® fitted pumps include EPDM wetted o-rings.

DP-50 Metal Performance Curve - Rubber

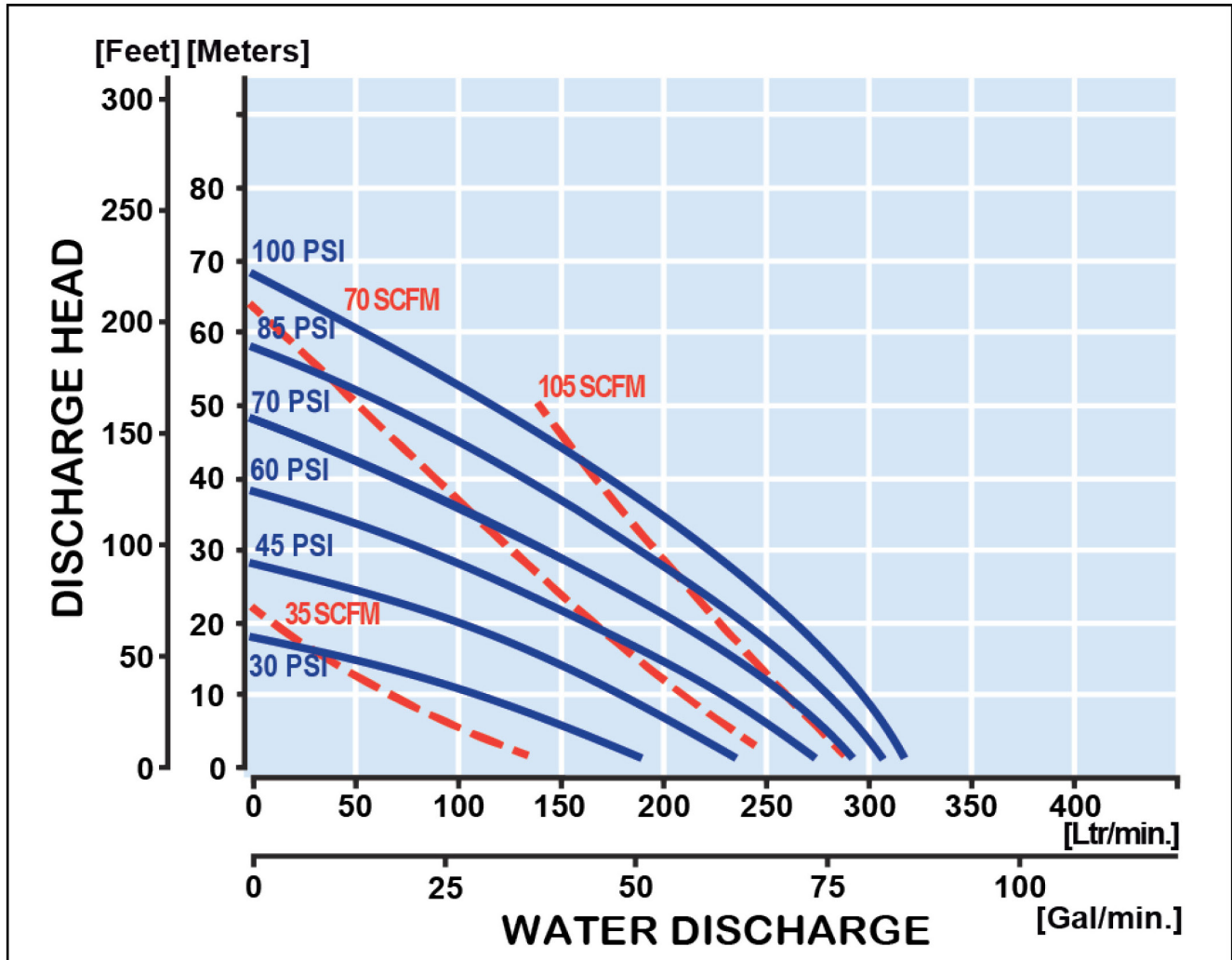
Rubber Diaphragm Performance Curve



To calculate performance for Santoprene® and Hytrel® fitted pumps, use Rubber Diaphragm Curve.

DP-50 Metal Performance Curve - PTFE

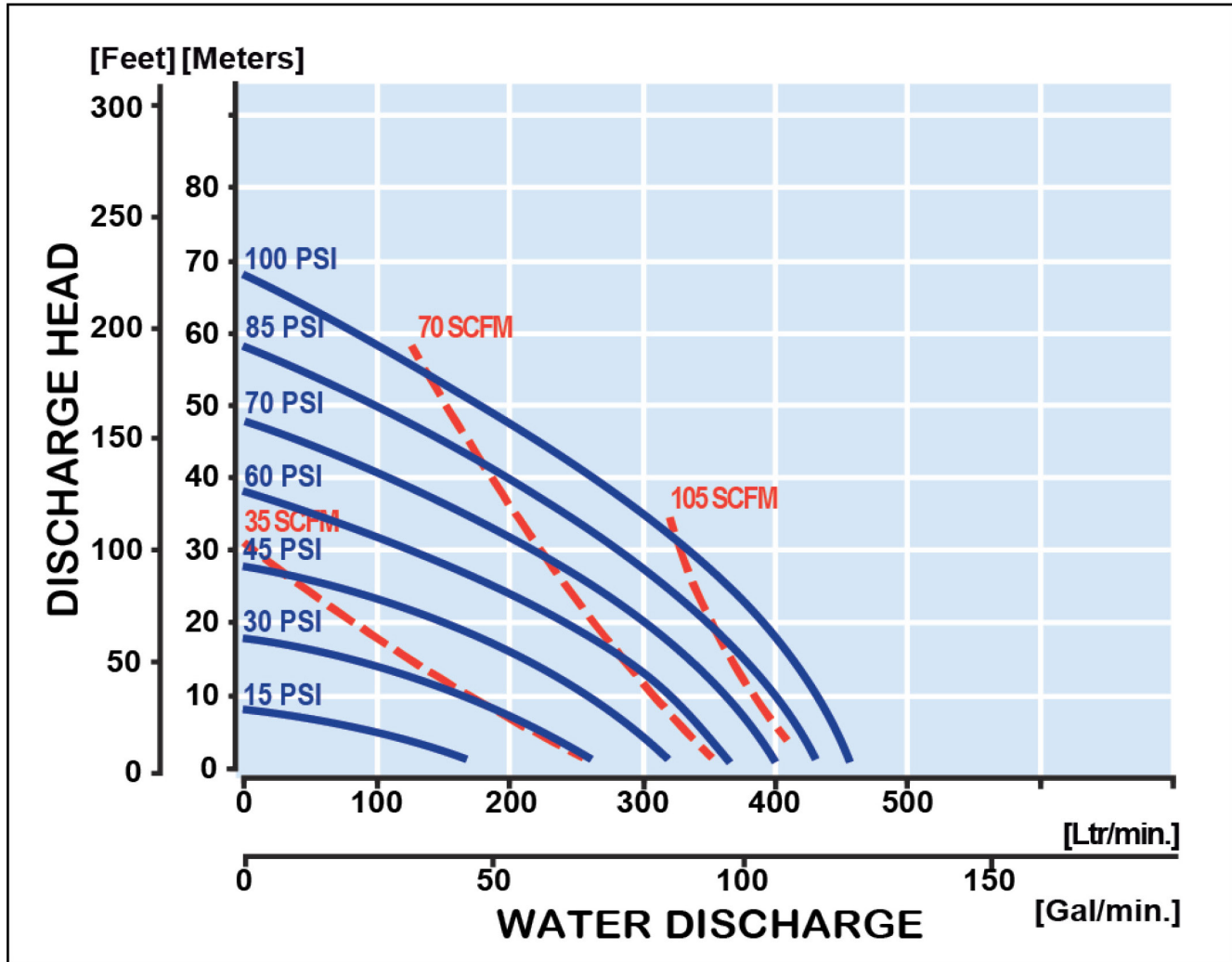
PTFE Diaphragm Performance Curve



To calculate performance for Santoprene® and Hytrel® fitted pumps, use Rubber Diaphragm Curve.

DP-50 Plastic Performance Curve - Rubber

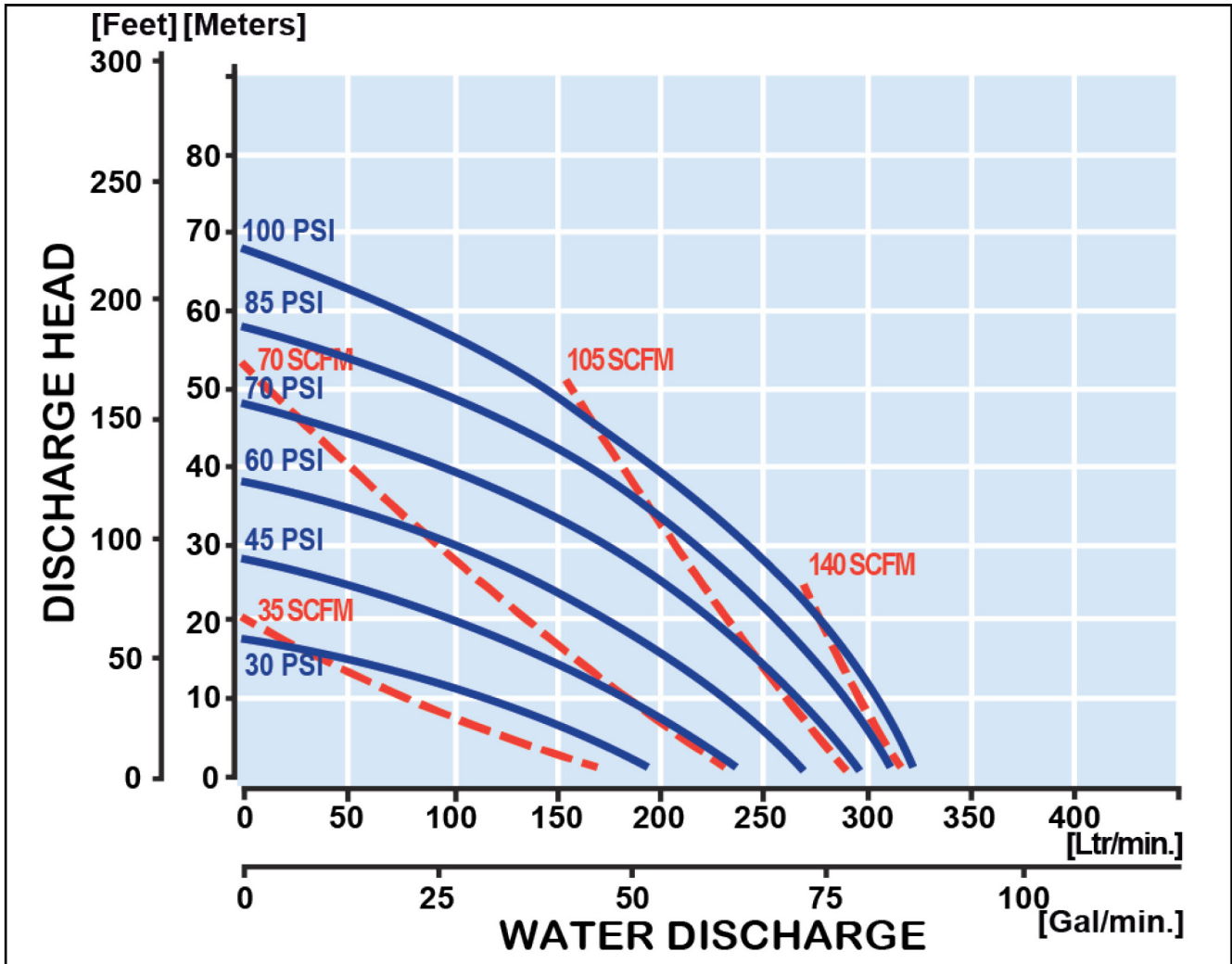
Rubber Diaphragm Performance Curve



To calculate performance for Santoprene® and Hytrel® fitted pumps, use Rubber Diaphragm Curve.

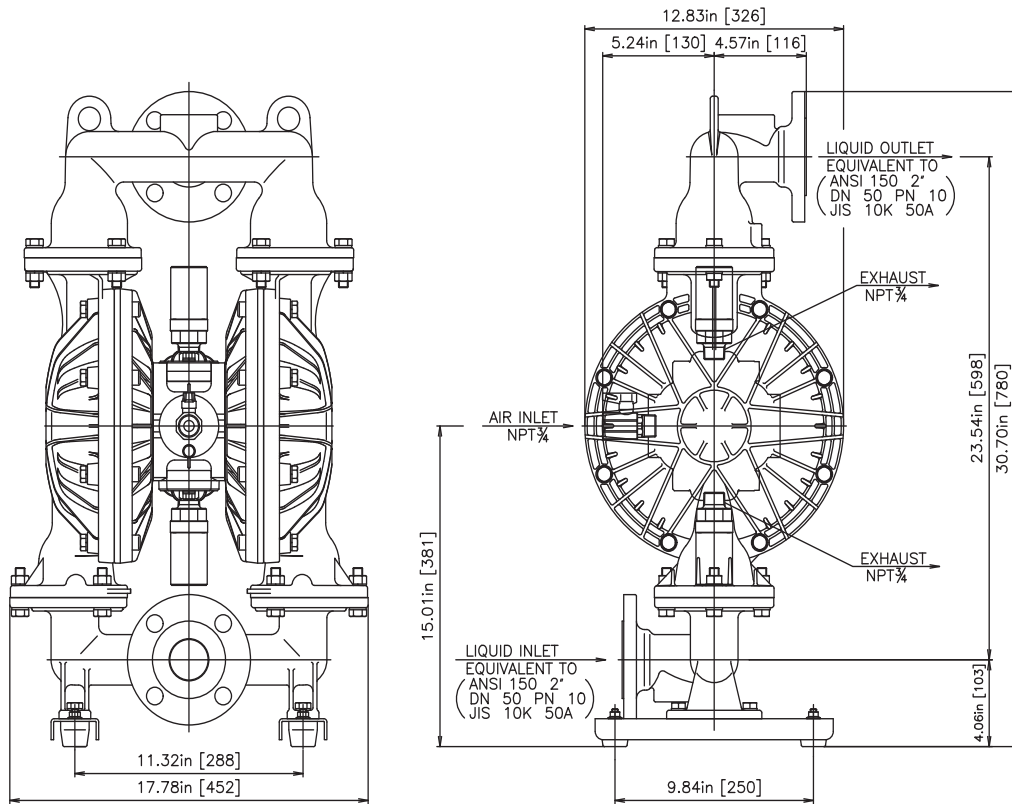
DP-50 Plastic Performance Curve - PTFE

PTFE Diaphragm Performance Curve



To calculate performance for Santoprene® and Hytrel® fitted pumps, use Rubber Diaphragm Curve.

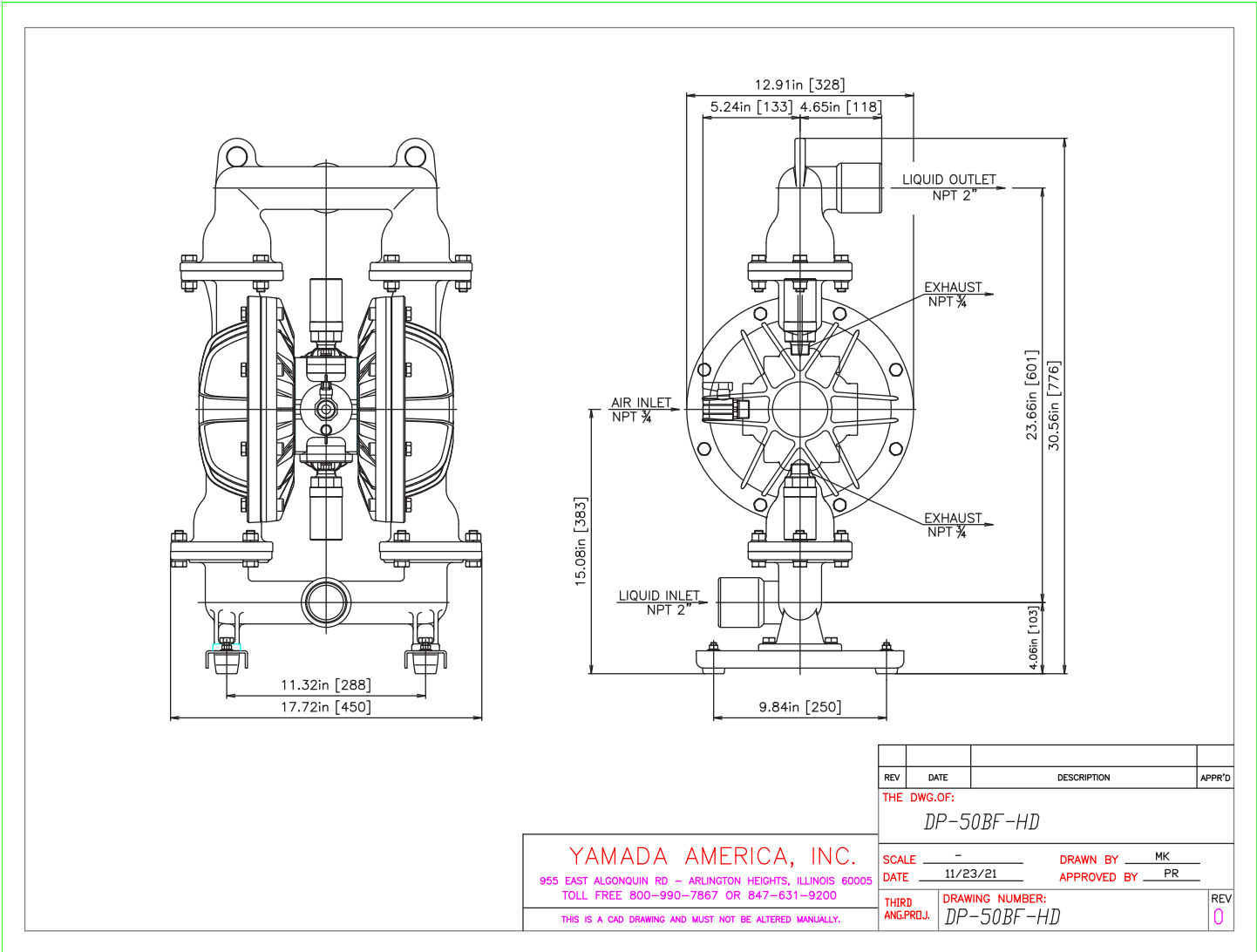
DP-50 Aluminum



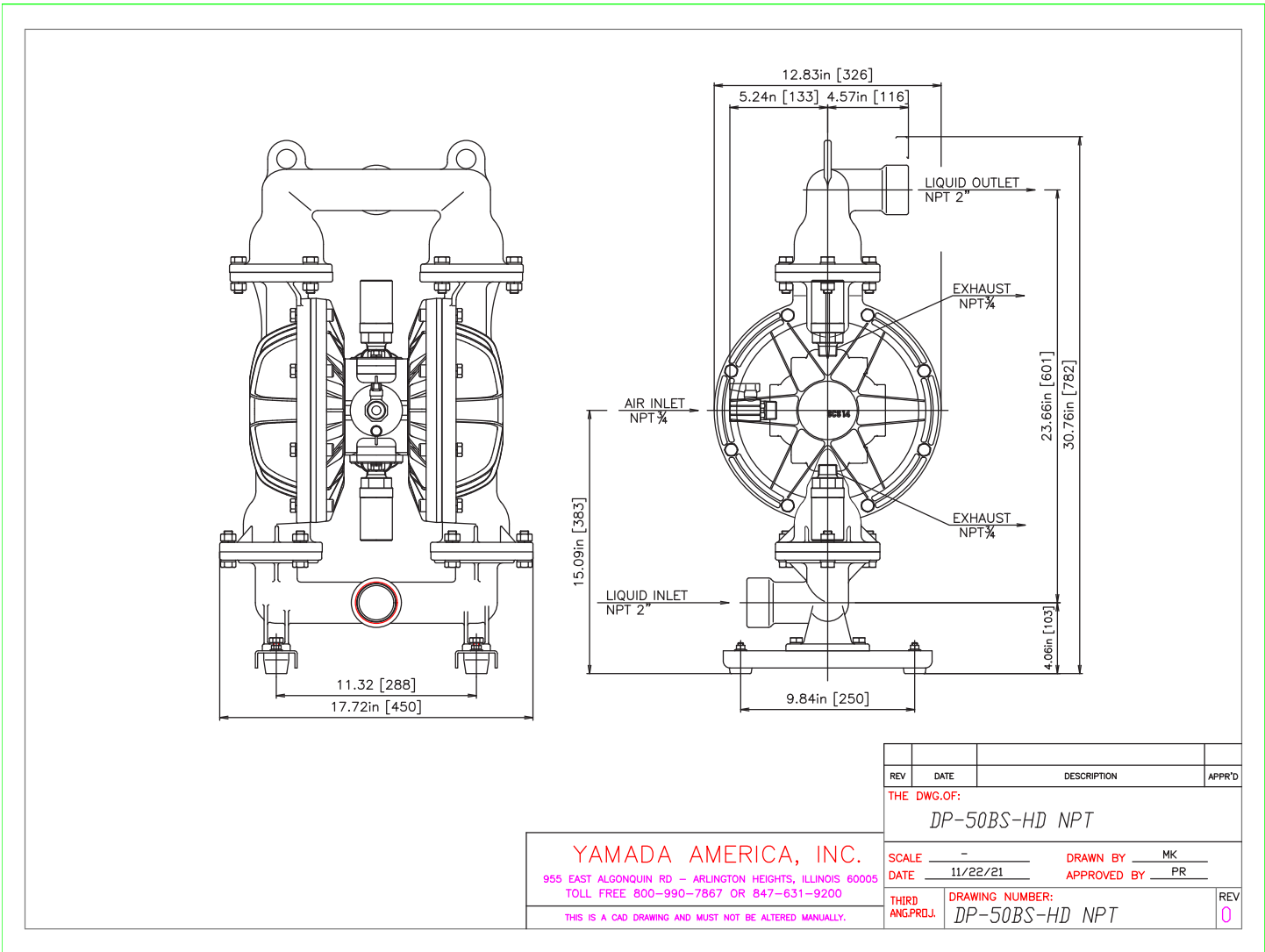
YAMADA AMERICA, INC.
 955 EAST ALGONQUIN RD - ARLINGTON HEIGHTS, ILLINOIS 60005
 TOLL FREE 800-990-7867 OR 847-631-9200
 THIS IS A CAD DRAWING AND MUST NOT BE ALTERED MANUALLY.

REV	DATE	DESCRIPTION	APPR'D
THE DWG. OF:			
<i>DP-50BA-HD</i>			
SCALE -		DRAWN BY MK	
DATE 11/23/21		APPROVED BY PR	
THIRD ANGRPLJ	DRAWING NUMBER:		REV 0

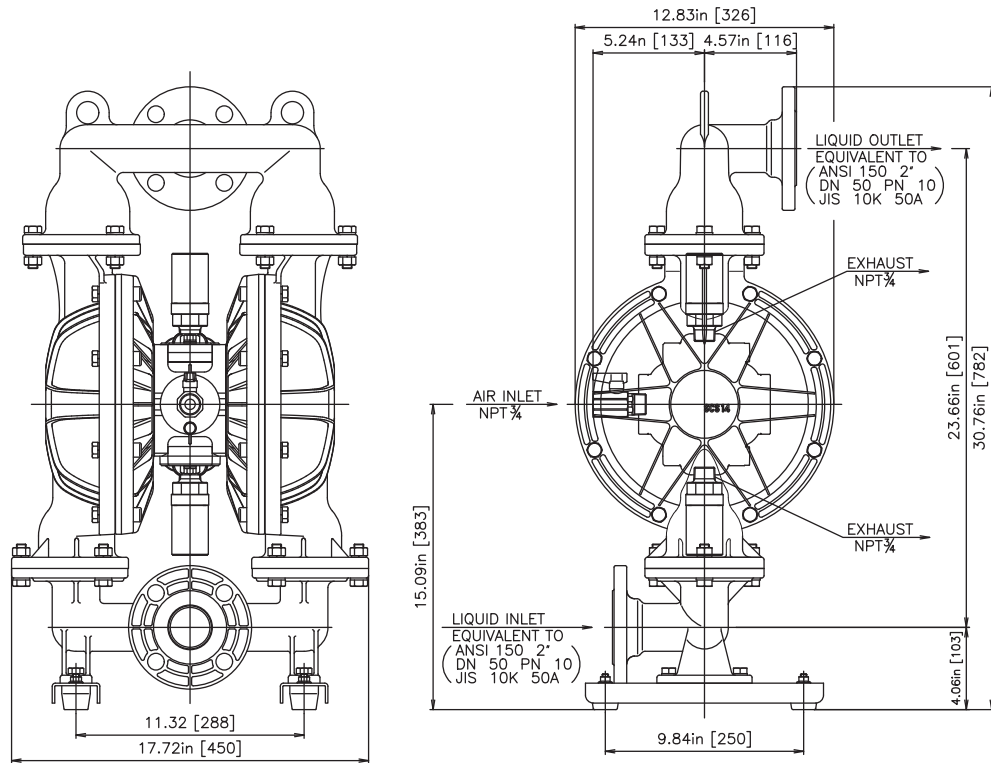
DP-50 Cast Iron



DP-50 Stainless Steel - NPT



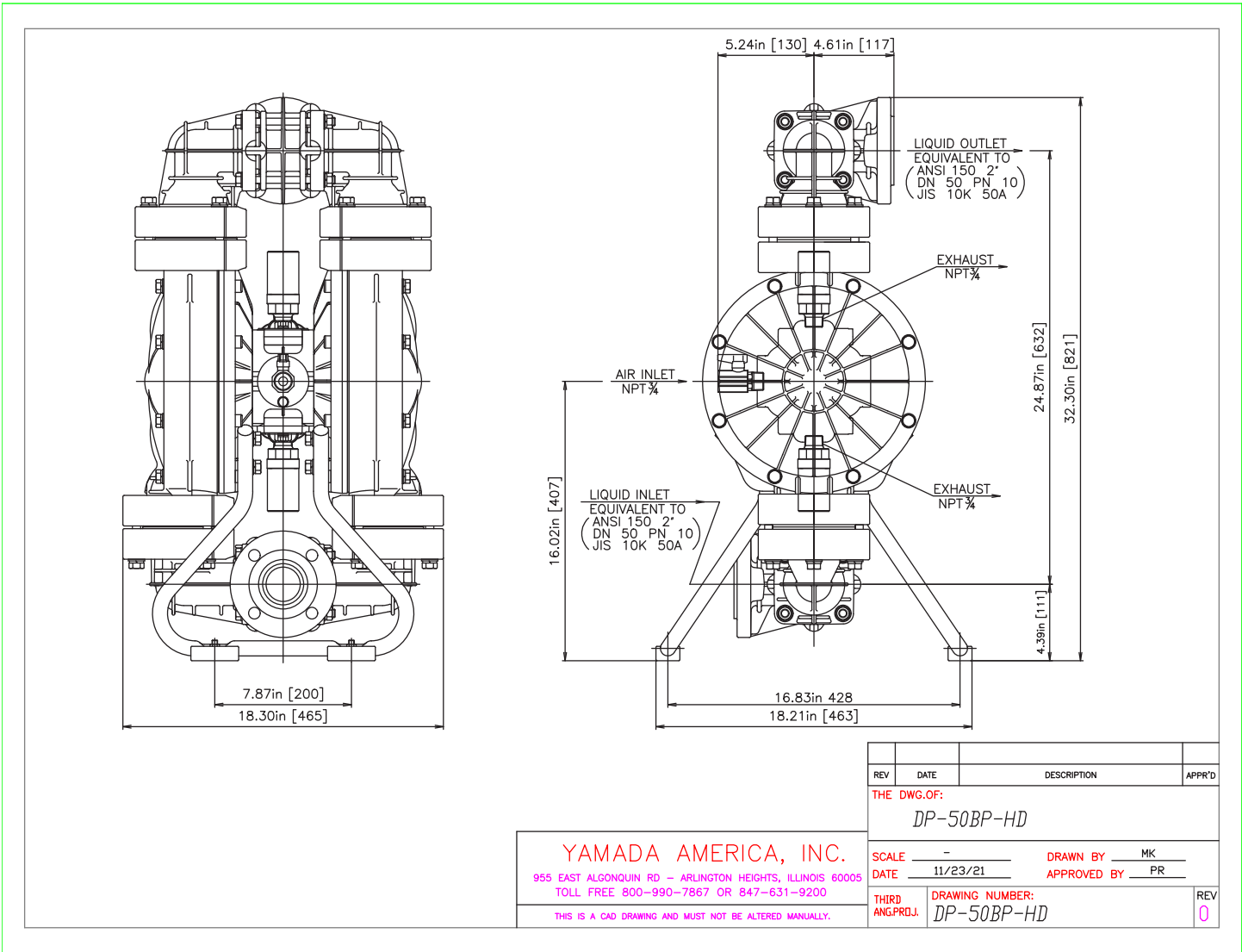
DP-50 Stainless Steel - FLG



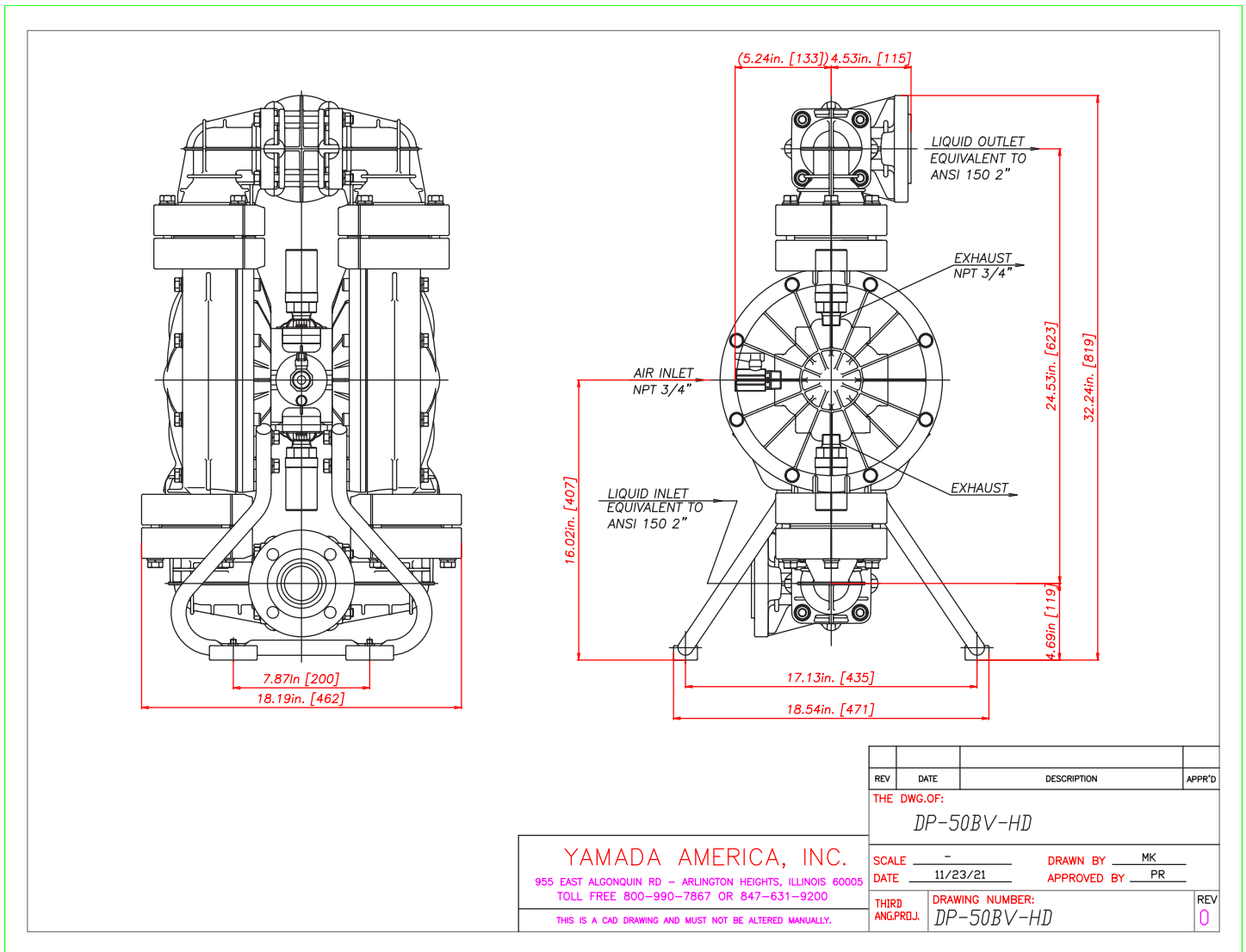
YAMADA AMERICA, INC.
 955 EAST ALGONQUIN RD - ARLINGTON HEIGHTS, ILLINOIS 60005
 TOLL FREE 800-990-7867 OR 847-631-9200
 THIS IS A CAD DRAWING AND MUST NOT BE ALTERED MANUALLY.

REV	DATE	DESCRIPTION	APPR'D
THE DWG. OF:			
DP-50BS-HD			
SCALE		DRAWN BY MK	
DATE 11/22/21		APPROVED BY PR	
THIRD ANG. PROJ.	DRAWING NUMBER:		REV
	DP-50BS-HD		0

DP-50 Polypropylene



DP-50 Kynar



AutoCAD® is a registered trademark of Autodesk, Inc.
Hytrell® is a registered trademark of E.I. du Pont de Nemours and Company.
Kynar® is a registered trademark of Arkema.
Nordel™ is a trademark of DuPont Dow Elastomers.
Ryton® is a registered trademark of Chevron Phillips Chemical Company.
Santoprene® is a registered trademark of Advanced Elastomer Systems.
Viton® is a registered trademark of DuPont Performance Elastomers.
Swagelok™ & VCR™ are trademarks of the Swagelok Companies.
Flaretek® is a registered trademark of Entegris.
Garlock ONE-UP® is a registered trademark of W.L. Gore & Associates.
Yamada® is a registered trademark of Yamada America, Inc.
SolidPRO Designed to Pump Fluids Containing Solids® is a registered trademark of Yamada America, Inc.
Xtreme Duty Pro XDP® is a registered trademark of Yamada America, Inc.
The Proof's in the Pump® is a registered trademark of Yamada America, Inc.
The Proof is in the Pump® is a registered trademark of Yamada America, Inc.
Engineered to Perform. Designed to Outlast.® is a trademark of Yamada America, Inc.

Due to Yamada's continued commitment to product improvement, specifications may change without notice.